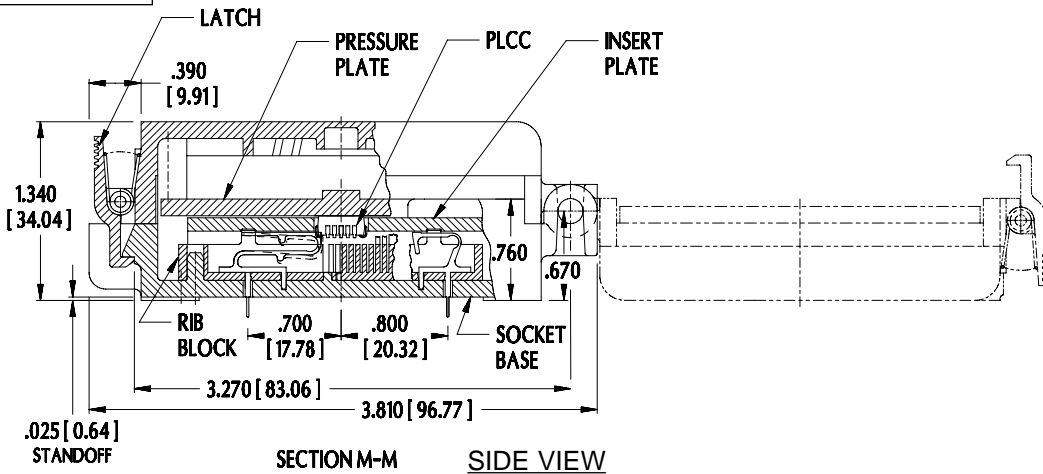


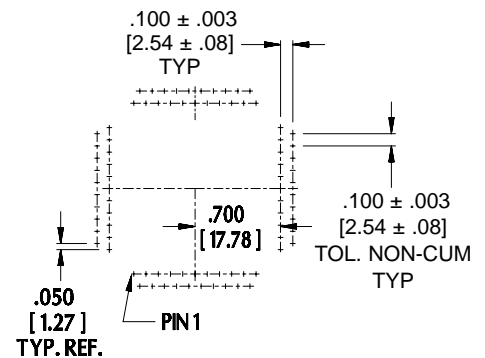
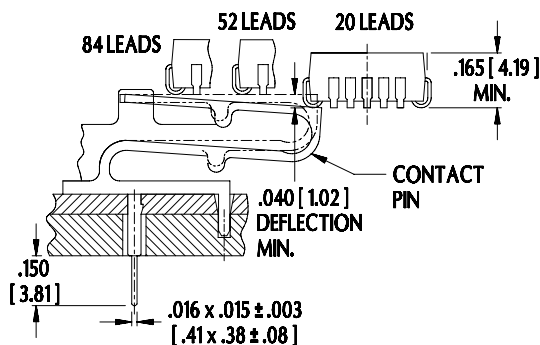


Series 537 Universal PLCC ZIF Test Socket "Live Bug" Type (cont.)

All tolerances $\pm .005$ [.13]
unless otherwise specified

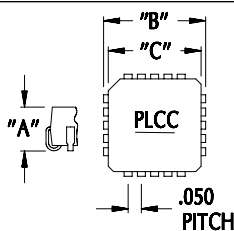


CONTACT DETAIL

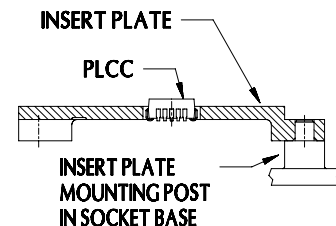


Top View Footprint
84 Pin Terminals

PLCC DIMENSIONS



- Overall height: "A" = .165-.200 [4.19-5.08]
- Overall width: "B" = .385-1.195 [9.78-30.35]
- Body width: "C" = .350-1.159 [8.89-29.44]



7 Insert plates
 XX-537-20 are available
 for each PLCC lead
 count. Consult Data
 Sheet No. 10012.

ORDERING INFORMATION

Specify Part No.
 84-537-21 when ordering

Specify Part No.
 84-537-21-7 when ordering with
 all seven insert plates

See Data Sheet No. 10010 for
 additional information.

SIBALCO

Käppelinstraße 12 Tel. +49 (0) 7621 78011 info@sibalco.de
 D-79576 Weil am Rhein Fax +49 (0) 7621 78013 www.sibalco.de

10011
 REV.B